

VigorSwitch P1100

PoE 8 + 2 Gigabit Ports

Web Smart Switch

Quick Start Guide

European Community Declarations

Manufacturer: DrayTek Corp.

Address: No. 26, Fu Shing Road, HuKou Township, HsinChu Industrial Park, Hsin-Chu, Taiwan 303

Product: VigorSwitch P1100

DrayTek Corp. declares that VigorSwitch P1100 is in compliance with the following essential requirements and other relevant provisions of 2014/30/EU.

The product conforms to the requirements of Electro-Magnetic Compatibility (EMC) Directive 2014/30/EU by complying with the requirements set forth in EN55022/Class A.

The product conforms to the requirements of Low Voltage (LVD) Directive 2014/35/EU by complying with the requirements set forth in EN60950-1.

Regulatory Information

Federal Communication Commission Interference Statement

This equipment has been tested and found to comply with the limits for a Class A digital device, pursuant to Part 15 of the FCC Rules. These limits are designed to provide reasonable protection against harmful interference in a residential installation. This equipment generates, uses and can radiate radio frequency energy and, if not installed and used in accordance with the instructions, may cause harmful interference to radio communications. However, there is no guarantee that interference will not occur in a particular installation. If this equipment does cause harmful interference to radio or television reception, which can be determined by turning the equipment off and on, the user is encouraged to try to correct the interference by one of the following measures:

- Reorient or relocate the receiving antenna.
- Increase the separation between the equipment and receiver.
- Connect the equipment into an outlet on a circuit different from that to which the receiver is connected.
- Consult the dealer or an experienced radio/TV technician for help.

This device complies with Part 15 of the FCC Rules. Operation is subject to the following two conditions:

- (1) This device may not cause harmful interference, and
- (2) This device may accept any interference received, including interference that may cause undesired operation.

We warrant to the original end user (purchaser) that the switch will be free from any defects in workmanship or materials for a period of one (1) year from the date of purchase from the dealer.

GPL Notice

This DrayTek product uses software partially or completely licensed under the terms of the GNU GENERAL PUBLIC LICENSE. The author of the software does not provide any warranty. A Limited Warranty is offered on DrayTek products. This Limited Warranty does not cover any software applications or programs.

To download source codes please visit:

<http://gplsource.draytek.com>

GNU GENERAL PUBLIC LICENSE:

<https://gnu.org/licenses/gpl-2.0>

Version 2, June 1991

For any question, please feel free to contact DrayTek technical support at support@draytek.com for further information.



Version: 1.4
Date: February 7, 2017

DrayTek

1 Package Content

The PoE 8 + 2 Gigabit Ports Web Smart Switch is a standard switch that meets both IEEE 802.3u/ab Fast Ethernet and Gigabit Ethernet specifications. The switch has 8 Gigabit Ethernet ports plus 2 SFP fiber ports.

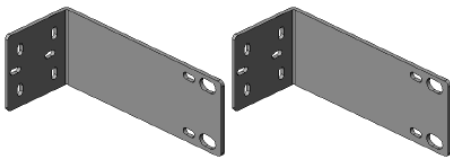
The network administrator can logon the switch to monitor, configure and control each port's activity. In addition, the switch implements the QoS (Quality of Service) and VLAN. It is suitable for office application.



VigorSwitch



Quick Start Guide



Rack mount kit (brackets)



UK-type power cord



EU-type power cord



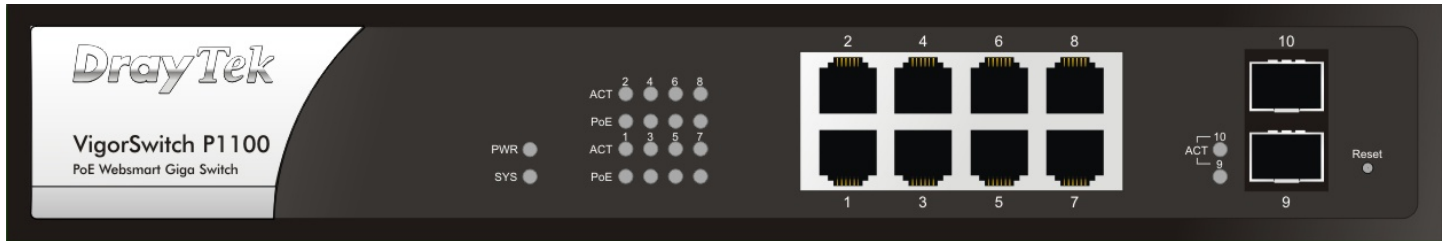
USA/Taiwan-type power cord





AU/NZ-type power cord

Note: If any of these items is found missing or damaged, please contact your local supplier for replacement.

2 Descriptions of Panel



LED	Status	Explanation
PWR	On (Green)	The device is powered on.
	Off	The device is powered off.
SYS	On (Green)	The switch finishes system booting.
	Blinking (Green)	The switch is powered on and starts system booting.
	Off	The power is off or the system is not ready / malfunctioning.
ACT (Port 1~10)	On (Green)	Port is connected at 1000 Mps.
	Off	LAN is disconnected.
	Blinking (Green)	Data is transmitting (sending/receiving).
PoE	On (Green)	A Power Device is connected.
	Off	No Power Device is connected.

Interface	Description
	Power inlet for AC input (100~240V/AC, 50/60Hz).
	1/O (ON/OFF) - Power switch.

Power Output	-- IEEE 802.3af Max. 15.4W Output Supported; IEEE 802.3at Max. 30W Output Supported
PoE Power Budget	-- 110 Watts (Max)

3 Installing Your Switch

Power Device to This Switch and Getting 48V Power Source through Cat. 5e Cable

Use a Cat. 5e twisted-pair cable to connect a PoE device to the port (1~8) of this switch. The switch will supply power to PoE Device over the twisted-pair cable. Please note that Power Device must comply with IEEE 802.3af/at. Other PCs, servers and network devices can be connected to the switch using a standard 'straight through' twisted pair cable.

The switch can be installed easily by using **rack mount kit**. However, due to environmental limitation, the wall-mount installation might be required. Simply follow the steps below:

1. The two slots located on the switch's bottom panel are for device wall-mount use. The distance between the two slots is 7.8 inches (198.02 mm). Attach two screws on the wall, so that the switch's wall-mount slots line up with the two screws.
2. Use drill bit to insert the two plastic screws into the wall.
3. Insert the two iron screws into the hole of the two plastic screws respectively.
4. Place the switch onto the iron screws through the wall-mount slots to make the switch hanging on the wall.

