

### WAN Feature

- Ethernet WAN
  - IPv4- DHCP Client, Static IP, PPPoE, PPTP, L2TP, 802.1p/q Multi-VLAN Tagging
  - IPv6- Tunnel Mode: PPP, TSPC, AICCU, 6in4, 6rd
  - Dual Stack: DHCPv6 Client, Static IPv6, DSLite\*
- USB WAN
  - PPP
- Outbound Policy-based Load-balance
- WAN Connection Failover
- 30,000 NAT Sessions

### Firewall

- Multi-NAT, DMZ Host, Port-Redirection and Open Port
- Object-based Firewall
- MAC Address Filter
- SPI (Stateful Packet Inspection) (Flow Track)
- DoS/DDoS Prevention
- IP Address Anti-spoofing
- E-mail Alert and Logging via Syslog
- Bind IP to MAC Address
- Time Schedule Control
- IPv6 Firewall
- User Management

### Network Management

- Web-based User Interface (HTTP/HTTPS)
- Quick Start Wizard
- CLI (Command Line Interface, Telnet/SSH)
- Administration Access Control
- Configuration Backup/Restore
- Built-in Diagnostic Function
- Firmware Upgrade via TFTP/FTP/HTTP /TR-069
- Logging via Syslog
- SNMP V2/V3
- Management Session Time Out
- Two-level Management (Admin/User Mode)
- External Device
- TR-069
- Support Smart Monitor (Up to 30 PCs)

### USB

- Printer Sharing
- File Sharing:
  - Support FAT32 File System
  - Support FTP Function for File Sharing
  - Support Samba for File Sharing
- 3.5G (HSDPA)/4G (LTE)\* as WAN3

### Network Feature

- DHCP Client/Relay/Server
- RADVD for IPv6
- DHCPv6 Server
- Static IPv6 Address Configuration
- IGMP Proxy V2/V3
- IGMP Snooping
- Dynamic DNS
- NTP Client
- RADIUS Client
- DNS Cache/Proxy
- UPnP 30 Sessions
- Routing Protocol:
  - Static Routing
  - RIPv2
- VLAN Tagging(802.1q) on LAN\*

### VPN

- Up to 16 VPN Tunnels
- Protocol : PPTP, IPSec, L2TP, L2TP over IPSec
- Encryption : MPPE and Hardware-based AES/DES/3DES
- Authentication : MD5, SHA-1
- IKE Authentication : Pre-shared key and Digital Signature (X.509)
- LAN-to-LAN, Host-to-LAN
- IPsec NAT-traversal (NAT-T)
- Dead Peer Detection (DPD)
- VPN Backup Mode
- DHCP over IPSec
- VPN Pass-through
- VPN Wizard
- mOTP

### Wireless AP (n model)

- IEEE802.11n Compliant (2.4GHz)
- Wireless Client List
- Wireless Isolation
- Wireless Security
  - WEP 64/128 bit
  - WPA-TKIP/WPA2-AES/Mixed(WPA+WPA2)
  - 802.1x Authentication
- Hidden SSID
- Multiple SSID
- Wireless MAC Address Filter
- Access Point Discovery
- WDS (Wireless Distribution System)
- SSID VLAN Grouping with LAN Port\*
- Wireless Rate-control
- WMM
- WPS

### Bandwidth Management

- QoS :
  - Guarantee Bandwidth for VoIP (VoIP QoS)
  - Class-based Bandwidth Guarantee by User-defined Traffic Categories
  - DiffServ Code Point Classifying
  - 4-level Priority for Each Direction (Inbound/Outbound)
  - Bandwidth Borrowed
- Bandwidth/Session Limitation
- Layer-3 (TOS/DSCP) QoS Mapping
- Smart Bandwidth Limitation (Triggered by Traffic/Session)

### Content Security Management

- IM/P2P Application
- URL Content Filter :
  - URL Keyword Blocking (White List and Black List)
  - Java Applet, Cookies, Active X, Compressed, Executable, Multimedia File Blocking
  - Excepting Subnets
- GlobalView Web Content Filter (Powered by **comintouch**)

### Hardware Interface

- 1 x 100Mbps WAN Port, SFP Slot, Configurable WAN2 on P1
- 4 x 10/100 Base-TX LAN, RJ45
- Detachable 2 x 2 Antennas (n model)
- 1 x USB Host 2.0 (for Printer/3G USB Modem /USB Disk)
- 1 x Factory Reset Button
- 1 x Wireless On/Off/ WPS Button



## Vigor2912F Series Dual-WAN Security Router

- Dual WAN load-balance and redundancy (broadband)
- USB 2.0 port as WAN 3 (3G/4G\* USB mobile broadband)
- Object-based firewall with Web Content Filtering
- Bandwidth management with intelligent VoIP QoS
- 16 VPN tunnels with VPN failover (backup)
- 802.11n wireless LAN (n model)
- TR-069 Central Management via the VigorACS SI
- Support IPv6 and IPv4 networks
- Smart Monitor Traffic Analyzer (Up to 30 nodes)



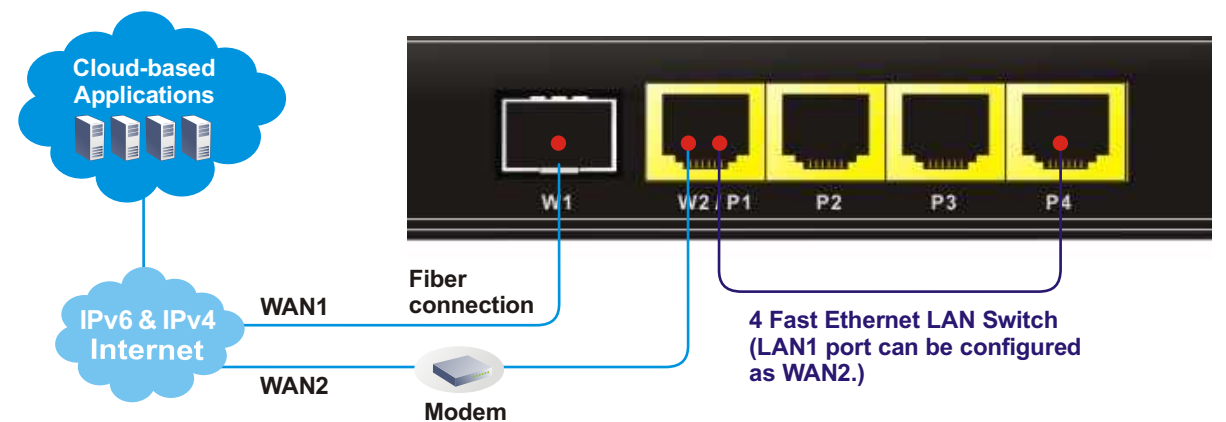
The Vigor2912F Series designed for the small office applications helps your businesses achieve the goals of business growth, innovation and responsiveness. This ideal VPN/firewall router replaces the simple Wi-Fi router offered by ISPs. The dual WAN load-balance and redundancy ensures your office to stay connected. The network security is fully taken care of the robust firewall and Web Content Filtering.

All your subscribed bandwidth can be smoothly allocated to the essential applications (e.g. VoIP) by the advanced QoS. The VPN tunnels cover the needs of the inter-office / remote access via multiple protocols. The secure Wi-Fi network enables the office environment ready for the trend of BYOD (Bring Your Own Device) to enhance the productivity. At last but not least, the Vigor2912F Series supports the IPv6 for the seamless migration.

### Dual WAN load-balance and redundancy

The Vigor2912F Series offer you with SFP Slot for fiber connection. In addition, you will have extremely fast broadband. The WAN 2 is configured from LAN port 1. You have the flexibility to choose different Internet feeds based on the local High Speed Internet plan offered by the ISP and get the reliable connection via dual WAN load-balance and redundancy.

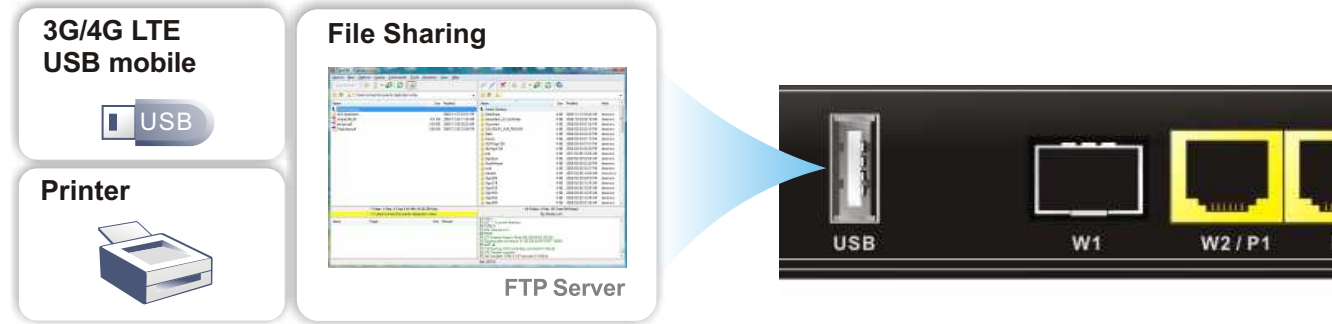
As enabling both WAN 1 and WAN 2, 2 WANs share Internet traffic requirements of your organization (load-balance). During downtime, you will always have an access to the Internet even if one of the WAN fails (redundancy).



\* Firmware Upgradeable

### USB 2.0 port for 3G/4G\* LTE mobile, FTP drive and network printers

The USB port can be used for the connection of 3G/4G mobile broadband dongle as the USB WAN (WAN 3).

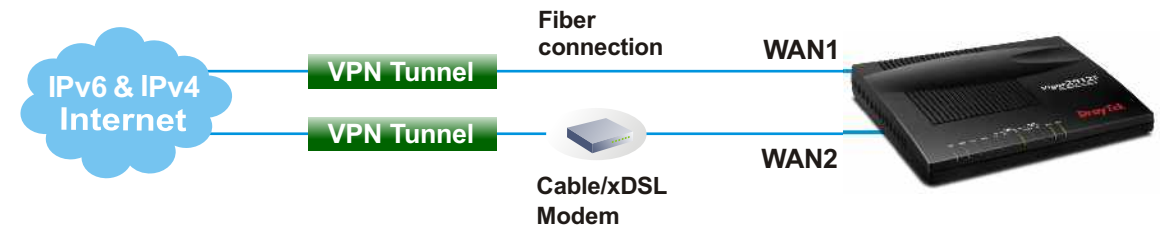


The USB WAN interface can also be the primary access if the local fixed line service hasn't been deployed yet. Another two popular applications are the FTP drive and network printers for the office.

### VPN for secure inter-office / remote access

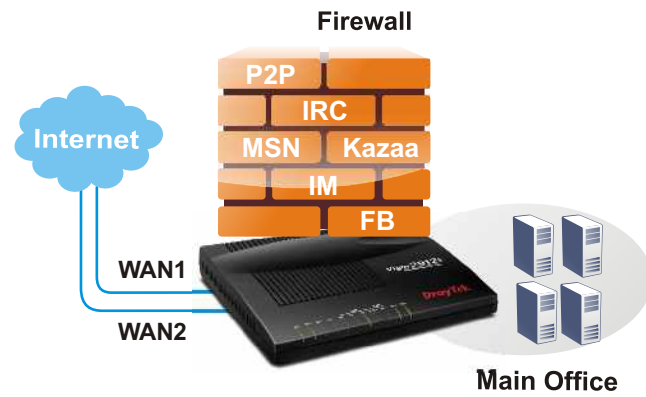
The Vigor2912F series support up to 16 LAN-to-LAN VPN tunnels secure remote data access, such as inter-office, or home-office communication with multi-protocols: PPTP /IPSec/L2P/L2TP over IPSec.

Its advanced AES/DES/3DES encryption and IKE Authentication provide you with strong security. The dual WAN feature can not only allow you to run load-balancing but also backup. If the main VPN fail, the second VPN takes over.



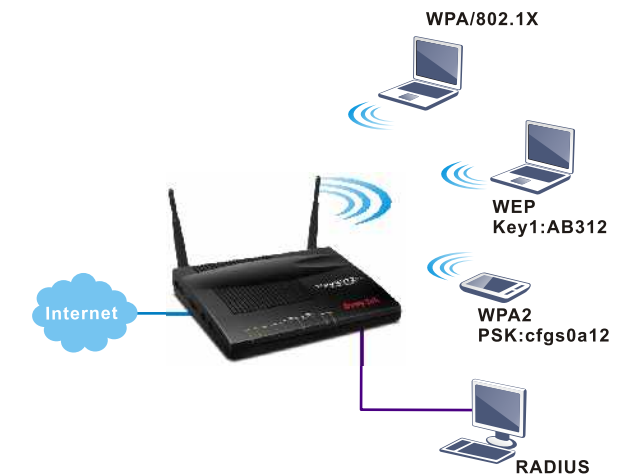
### Object-based firewall with Web Content Filtering

The Vigor2912F Series supports Object-based SPI firewall to set of Call/Data Filters and DoS/DDoS prevention. You can use pre-define objects or groups for IP, service type, keyword, file extension, etc., and mix these with the Time Scheduler or the VLAN groups as required. The Web Content Filter, powered by the Commtouch Web WCF of Content Security Management (CSM) eases configurations to prevent access to inappropriate sites. The IM/P2P/Protocol filter and URL Content Filter are also available in CSM. Your network security is fully managed by the Vigor2912F Series.



### Secure business Wi-Fi network

The Wi-Fi access is fully protected by security and encryption protocols, including WEP/WPA/WPA2, MAC Address Control, Multiple SSID, Wireless LAN Isolation, Wireless VLAN\* and 802.1x Authentication. You can ensure only authorized devices to access the Wi-Fi network and separate guest and corporate network via SSID. The Wireless Rate Control function allows connection rates for each network device to be individually managed as required. The WMM (Wi-Fi Multi-Media)\* function allows setting of priority levels for various applications: voice, video, data, etc., so time-critical applications can be assigned higher priority levels. Furthermore, WDS (Wireless Distribution System) function allows you to extend the wireless coverage distance easily.



### Bandwidth management with intelligent VoIP QoS

Small offices normally choose the affordable Internet plan instead of increasing the bandwidth over 100Mbps. Hence, how to reserve and prioritize bandwidth for the essential applications is critical to operation. The Vigor2912F Series has VoIP QoS to guarantee the priority for VoIP calls automatically once VoIP calls was detected. In addition to QoS, you can manage the bandwidth

consumption of every employee based on the individual IP via Session Limit and Bandwidth Limit. The Smart Bandwidth Limit allows you to only set bandwidth reservation for PCs operated essential tasks. Other PCs have the session limitation to prevent the inappropriate usages (e.g. P2P download). Once exceeding the limitation, their speed rates will be downgrade to your customized numbers. You can guarantee all subscribed bandwidth to have proper usage.



### More benefits

The Vigor2912F Series can be centrally managed by the VigorACS SI via TR-069 protocol. You don't even need an IT staff in the office and can all rely on the outsourcing service to stay focused on the business. It supports the Smart Monitor Network Traffic Analyzer to manage up-to 30 users. You have the most effective way to enhance your employee's productivity after the analysis of their network activities. To lower the Total Cost of Ownership (TCO), the Vigor2912F Series supports both IPv6 and IPv4 networks, so you don't need a new CPE for the migration.

\*Firmware Upgradable